

## QUICK SEAL **BRUSHES**

This flexible brush can easily fit any shape or curve, whether it's straight or curved. It's made from durable and high-quality thermoplastic rubber, making it suitable for all kinds of applications. The strips are delivered in boxes of 25 meters or a multiple. You can easily cut just the right amount you need from the storage-friendly octagon box.

V-PROFILE

U-PROFILE

AT-PROFILE

F-PROFILE

F-CLAMP

AT-PROFILE

H-PROFILE

H-CLAMP

### Profile types

Thanks to the various available brush profiles and their configurations, there's a solution for nearly every requirement.

### Advantages

- Consists entirely of durable and high-quality thermoplastic rubber
- Seals perfectly around circular, oval, curved, or angled openings
- Fits any shape – straight or curved
- No wastage: cut off only what you require
- Variety of profiles and configurations available
- Delivered on 25-metre rolls or a multiple
- Packaged in storage-friendly octagon boxes

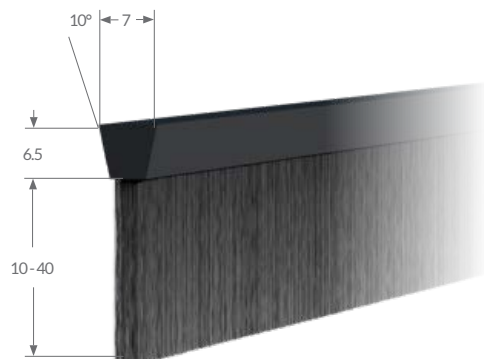
### Mounting options

Once the Quick Seal is cut to the desired length, there are several options for installation: utilizing double-sided adhesive tape, screws, glue, or by using a strip with profile that facilitates sliding it into place.



## V-PROFILE

(scale 1:1)



### PROFILE DIMENSIONS

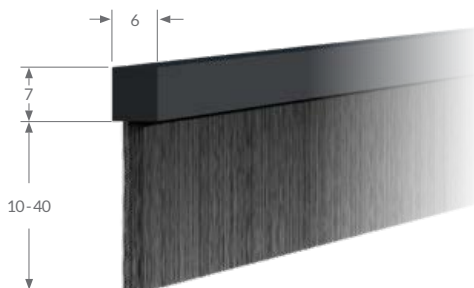
Brush code	Angle	Dimensions
QSP581	10°	7 x 6.5

### V-PROFILE CONFIGURATIONS

Filling material	Fiber diameter	Fiber length min-max
PA 6.6	0.15	10-30
PP	0.20	15-40
PH	-	15-40

## U-PROFILE

(scale 1:1)



### PROFILE DIMENSIONS

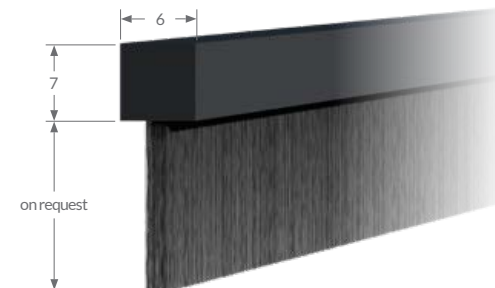
Brush code	Dimensions
QSP582	6 x 7

### U-PROFILE CONFIGURATIONS

Filling material	Fiber diameter	Fiber length min-max
PA 6.6	0.15	10-30
PP	0.20	15-40
PH	-	15-40

## U-PROFILE

(scale 1:1)



### PROFILE DIMENSIONS

Brush code	Dimensions
QSP600	10 x 10

### U-PROFILE CONFIGURATIONS

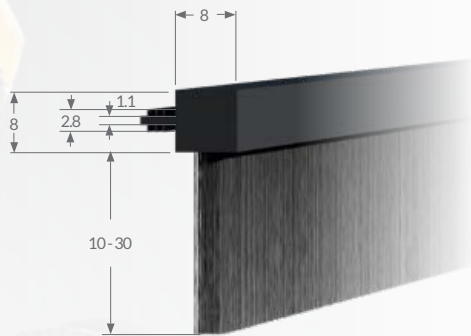
Filling material	Fiber diameter	Fiber length min-max
PA 6.6	on request	on request
PP	on request	on request
PH	-	on request

All dimensions in mm.

# STRIP BRUSHES

## AT-PROFILE

(scale 1:1)



### PROFILE DIMENSIONS

Brush code	Dimensions
QSP597	8 x 8

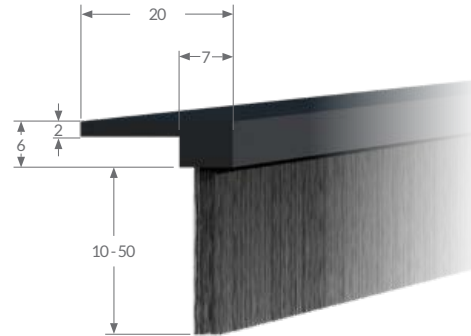
### AT-PROFILE CONFIGURATION

Filling material	Fiber diameter	Fiber length min-max
PA 6.6	0.15	10-30
PP	0.20	10-30
PH	-	10-30

All dimensions in mm.

## F-PROFILE

(scale 1:1)



### PROFILE DIMENSIONS

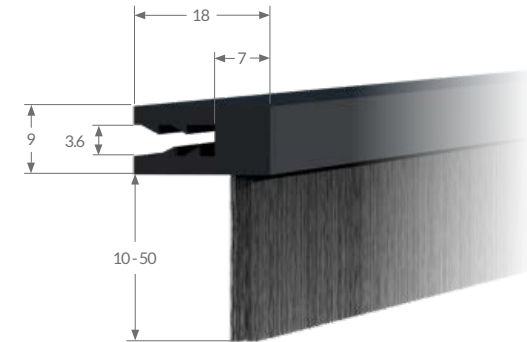
Brush code	Dimensions
QSP584	20 x 6
QSP586	25 x 8

### F-PROFILE CONFIGURATION

Filling material	Fiber diameter	Fiber length min-max
PA 6.6	0.15	10-30
PP	0.20	10-50
PH	-	15-50

## F-CLAMP

(scale 1:1)



### PROFILE DIMENSIONS

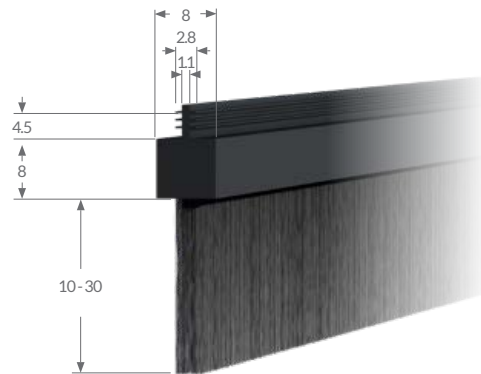
Brush code	Dimensions
QSP590	18 x 9
QSP592	18 x 8
QSP594	10.2 x 22.9

### F-CLAMP CONFIGURATION

Filling material	Fiber diameter	Fiber length min-max
PA 6.6	0.15	10-30
PP	0.20	10-30
PH	-	10-30

## AT-PROFILE

(scale 1:1)



### PROFILE DIMENSIONS

Brush code	Dimensions
QSP596	8 x 8

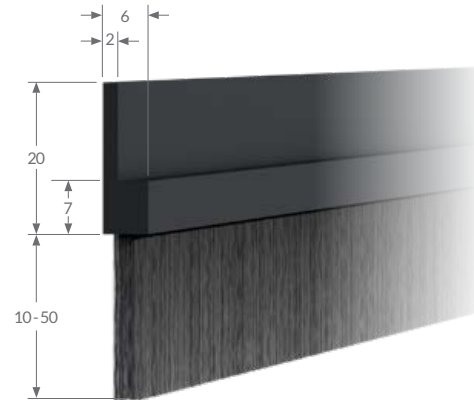
### AT-PROFILE CONFIGURATION

Filling material	Fiber diameter	Fiber length min-max
PA 6.6	0.15	10-30
PP	0.20	20
PH	-	10-30

All dimensions in mm.

## H-PROFILE

(scale 1:1)



### PROFILE DIMENSIONS

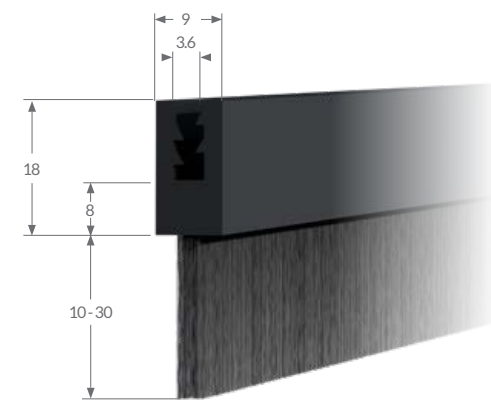
Brush code	Dimensions
QSP583	6 x 20
QSP585	8 x 25

### H-PROFILE CONFIGURATIONS

Filling material	Fiber diameter	Fiber length min-max
PA 6.6	0.15	10-30
PH	-	15-50
PP	0.20	10-50

## H-CLAMP

(scale 1:1)



### PROFIE DIMENSIONS

Brush code	Dimensions
QSP589	9 x 18
QSP591	8 x 18
QSP593	10.2 x 22.9

### H-CLAMP CONFIGURATION

Filling material	Fiber diameter	Fiber length min-max
PA 6.6	0.15	10-30
PP	0.20	10-30
PH	-	10-30